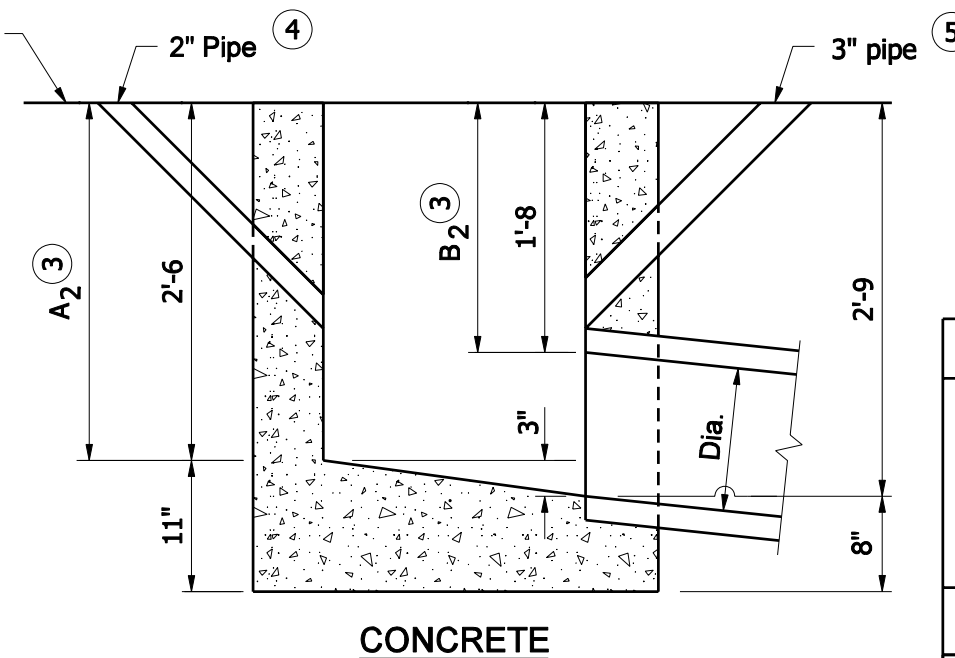
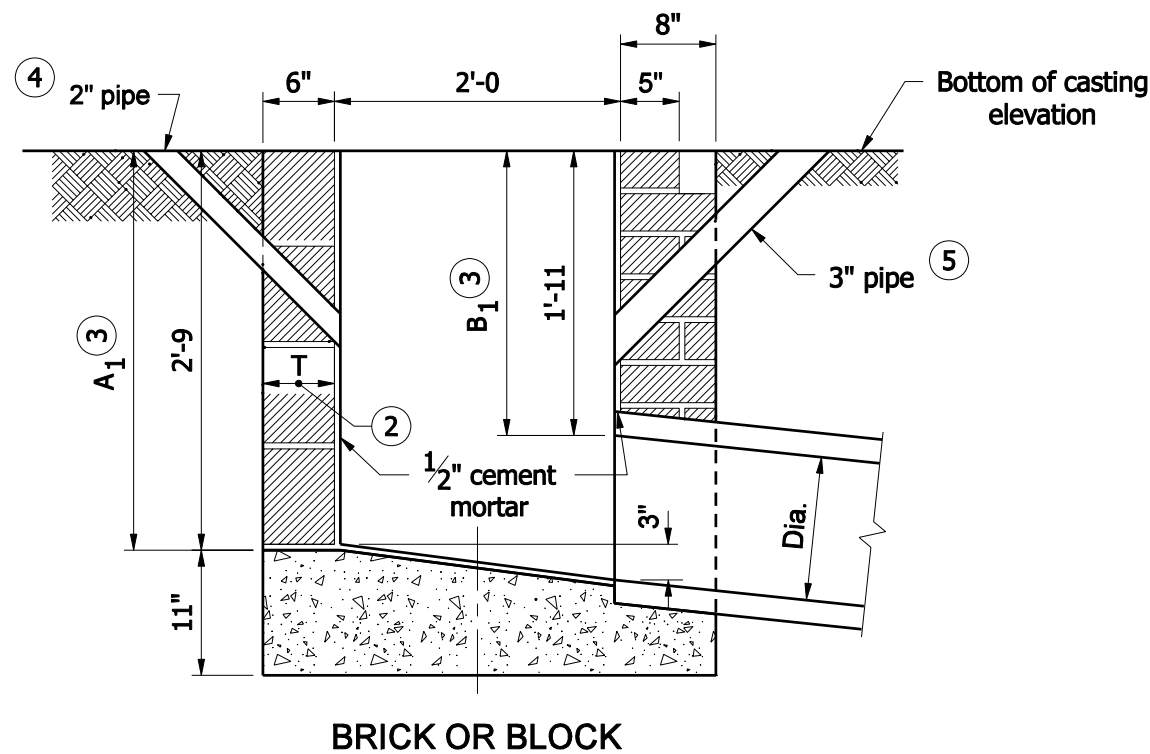
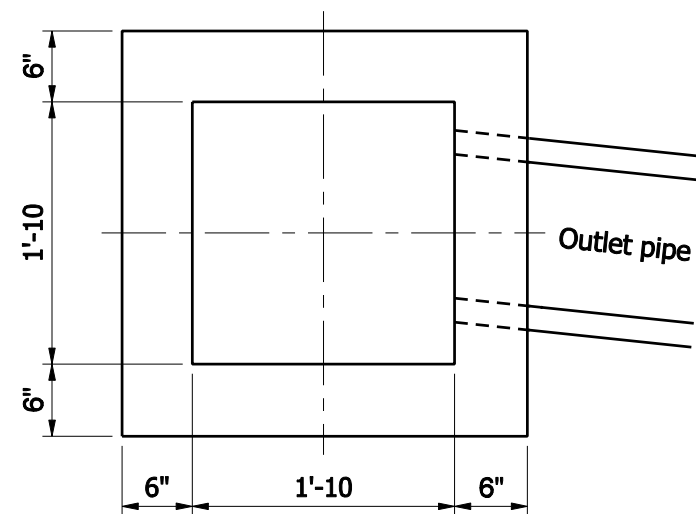
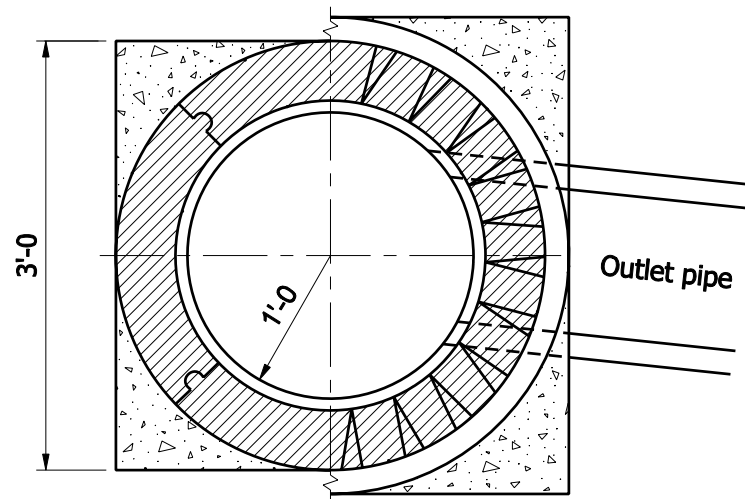


GENERAL NOTES

1. Brick, block, or concrete may be used.
2. T = 8" for brick structure
T = 6" for segmental block structure
- 3 In special cases or where inlet pipe is required, A₁, B₁, A₂, and B₂ shall be increased or decreased 1'-0", as directed.
- 4 2" dia. pipe drain from bottom of curb to inlet. Aggregate to be placed around inlet end of pipe.
- 5 3" dia. pipe to be kept open for drainage of subgrade or base until surface is placed.

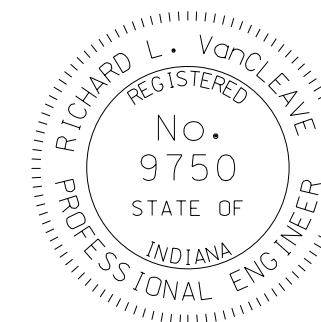


INDIANA DEPARTMENT OF TRANSPORTATION

INLET TYPE A

SEPTEMBER 2008

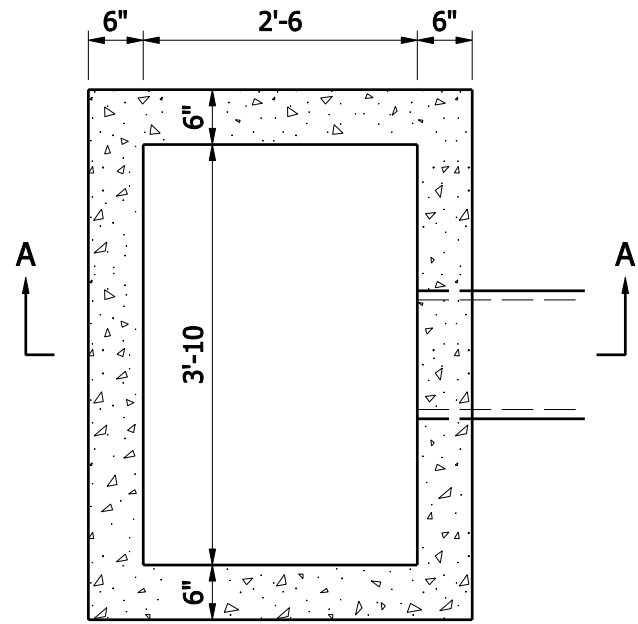
STANDARD DRAWING NO. E 720- INST-01



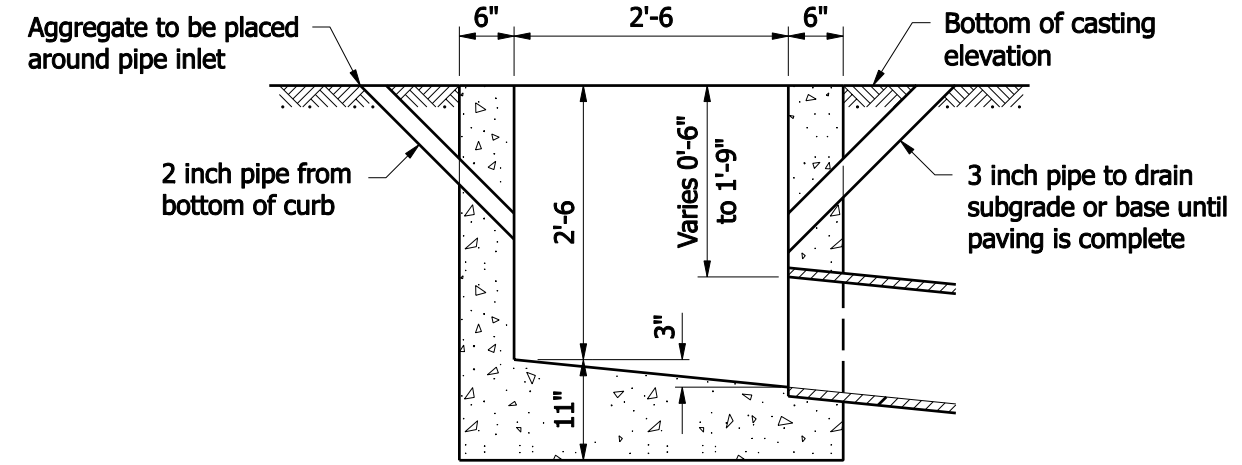
DESIGN STANDARDS ENGINEER

/s/ Richard L. VanCleave 09/02/08
DESIGN STANDARDS ENGINEER DATE

/s/ Mark A. Miller 09/02/08
CHIEF HIGHWAY ENGINEER DATE

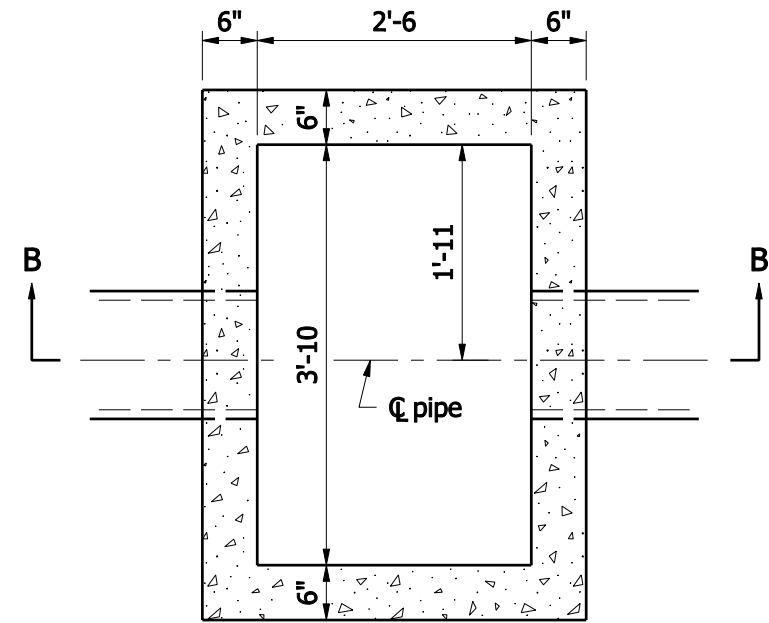


PLAN

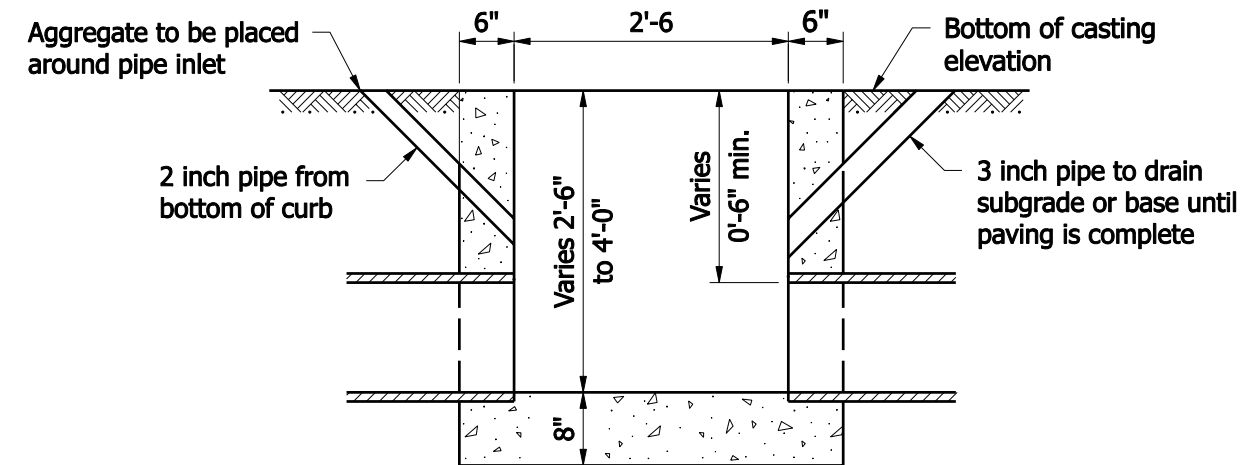


SECTION A-A

INLET-TYPE B



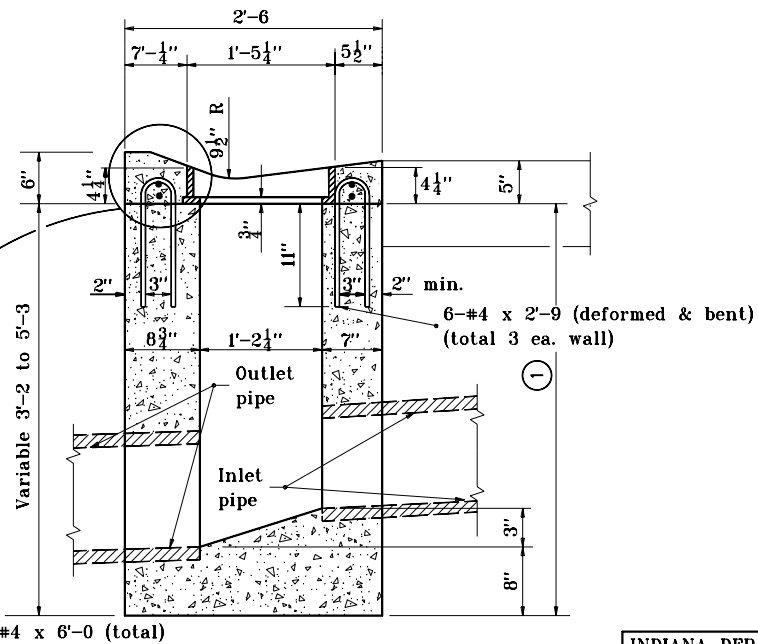
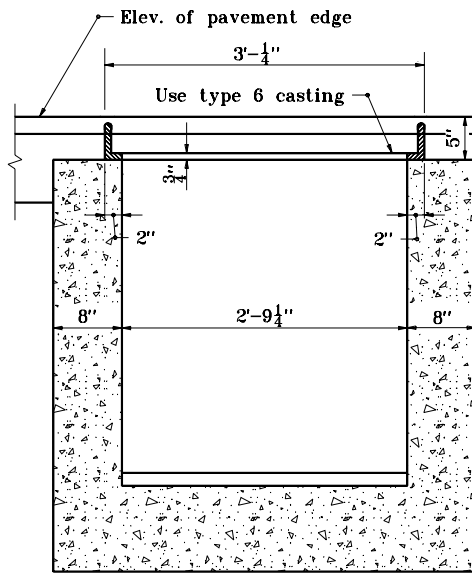
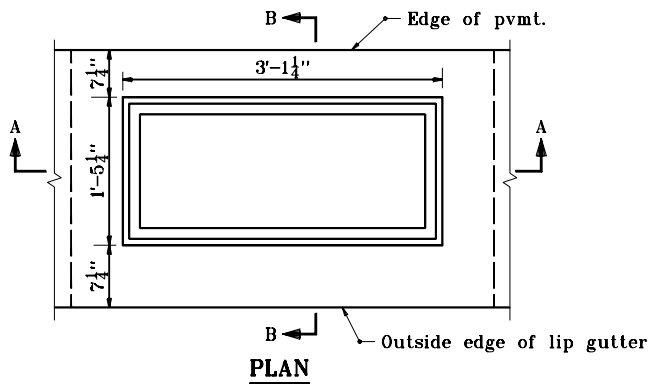
PLAN



SECTION B-B

INLET-TYPE C

INDIANA DEPARTMENT OF TRANSPORTATION	
INLET TYPE B AND C	
SEPTEMBER 2008	
STANDARD DRAWING NO. E 720- INST-02	
	<i>/s/ Richard L. VanCleave</i> 09/02/08 DESIGN STANDARDS ENGINEER DATE
DESIGN STANDARDS ENGINEER	<i>/s/ Mark A. Miller</i> 09/02/08 CHIEF HIGHWAY ENGINEER DATE



GENERAL NOTES

- 1 If inlet pipe is required, this dimension shall be increased or decreased 1'-0 as directed.

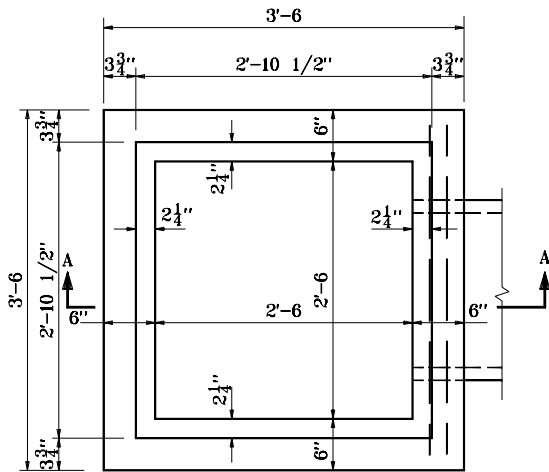
INDIANA DEPARTMENT OF TRANSPORTATION

INLET TYPE D

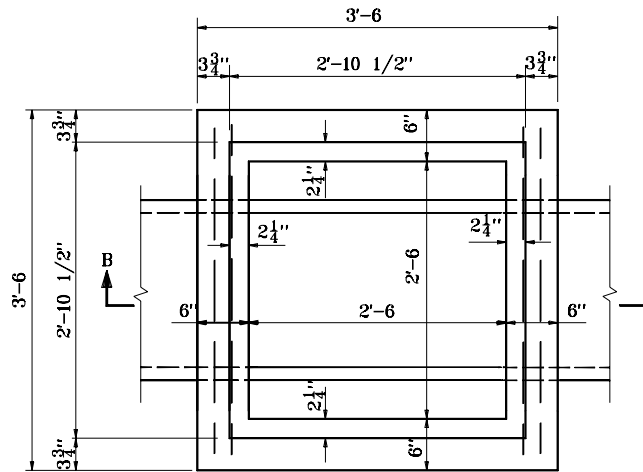
SEPTEMBER 1997

STANDARD DRAWING NO. E 720-INST-03

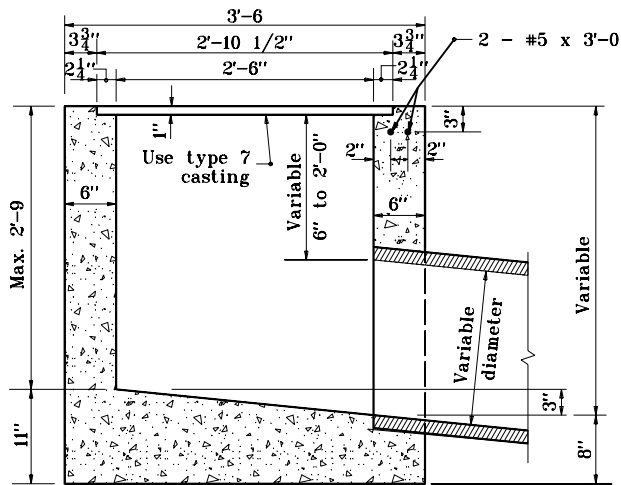
	DETAILS PLACED IN THIS FORMAT 11-15-99
	/s/ Anthony L. Uremovich 11-15-99 DESIGN STANDARDS ENGINEER DATE
/s/ Firooz Zandi 11-15-99 CHIEF HIGHWAY ENGINEER DATE	ORIGINALLY APPROVED 9-01-97



PLAN

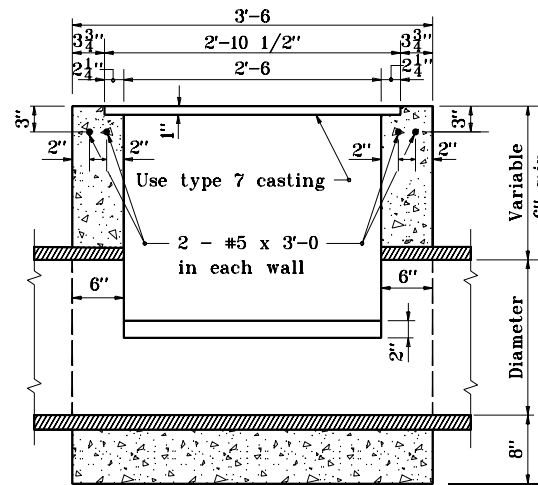


PLAN



SECTION A-A

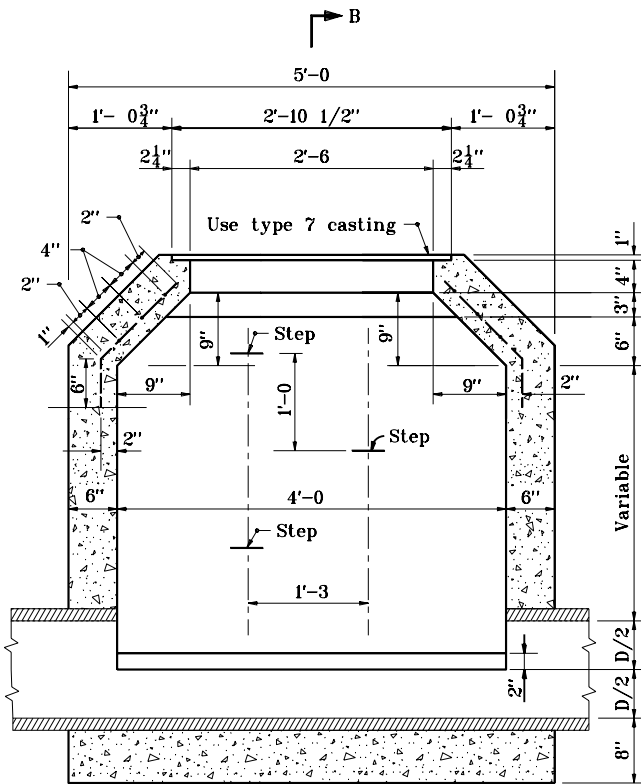
INLET TYPE E (CONC.)



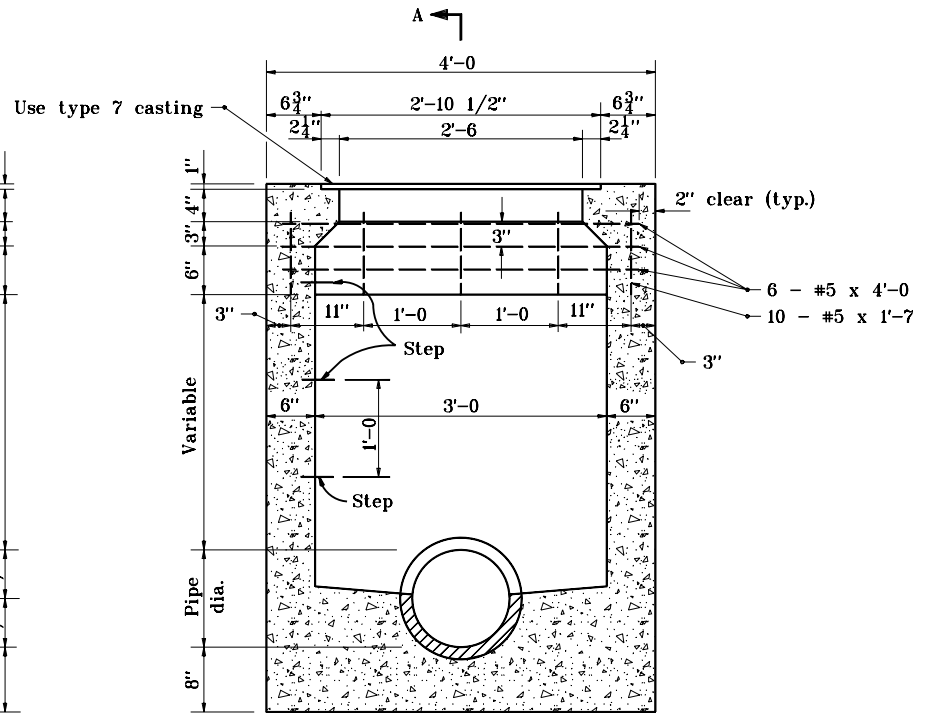
SECTION B-B

INLET TYPE F (CONC.)

INDIANA DEPARTMENT OF TRANSPORTATION	
INLETS TYPE E AND F	
SEPTEMBER 1997	
STANDARD DRAWING NO. E 720-INST-04	
DETAILS PLACED IN THIS FORMAT 11-15-99	
	/s/ Anthony L. Uremovich 11-15-99 DESIGN STANDARDS ENGINEER DATE
	/s/ Firooz Zandi 11-15-99 CHIEF HIGHWAY ENGINEER DATE
	ORIGINALLY APPROVED 9-02-97



SECTION A-A



SECTION B-B

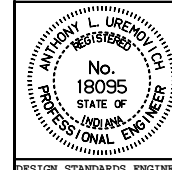
INDIANA DEPARTMENT OF TRANSPORTATION

INLET TYPE G

SEPTEMBER 1997

STANDARD DRAWING NO. **E 720-INST-05**

DETAILS PLACED IN THIS FORMAT 11-15-99

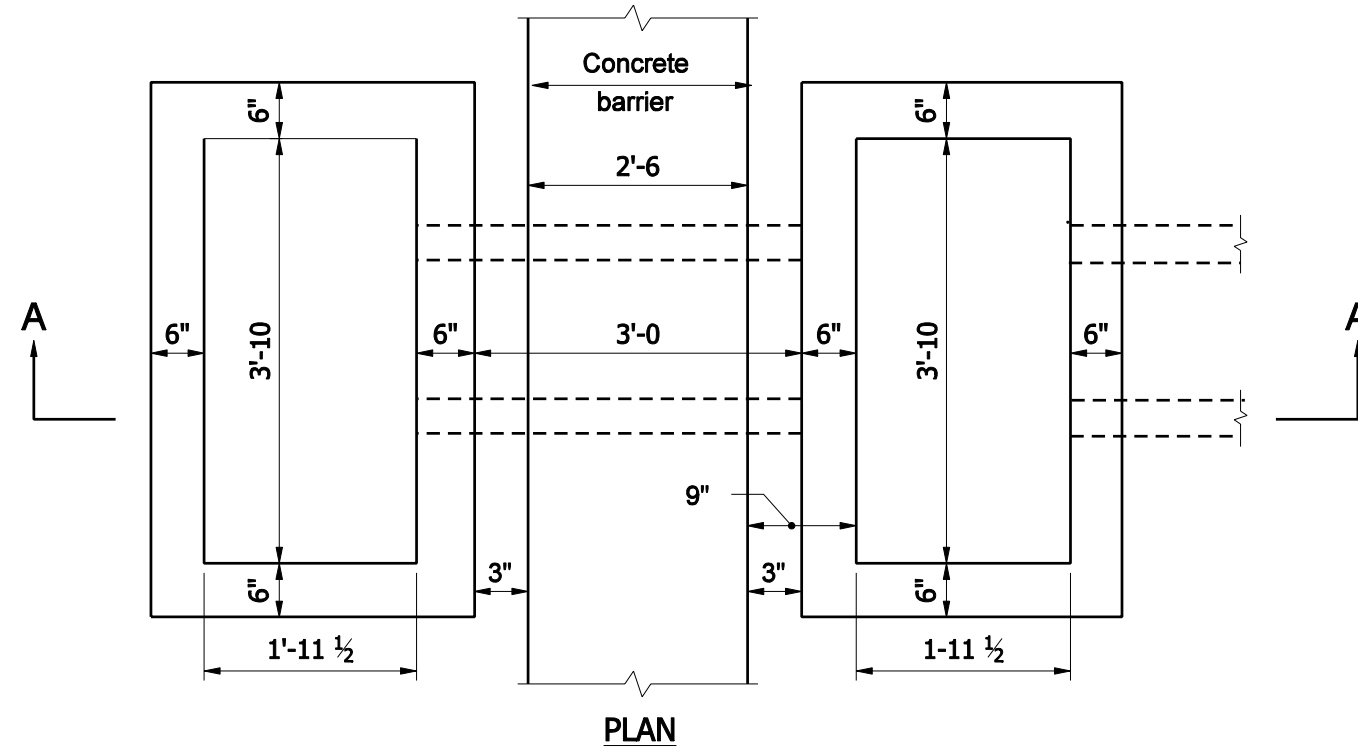


/s/ Anthony L. Uremovich 11-15-99
DESIGN STANDARDS ENGINEER DATE

/s/ Firooz Zandi 11-15-99
CHIEF HIGHWAY ENGINEER DATE

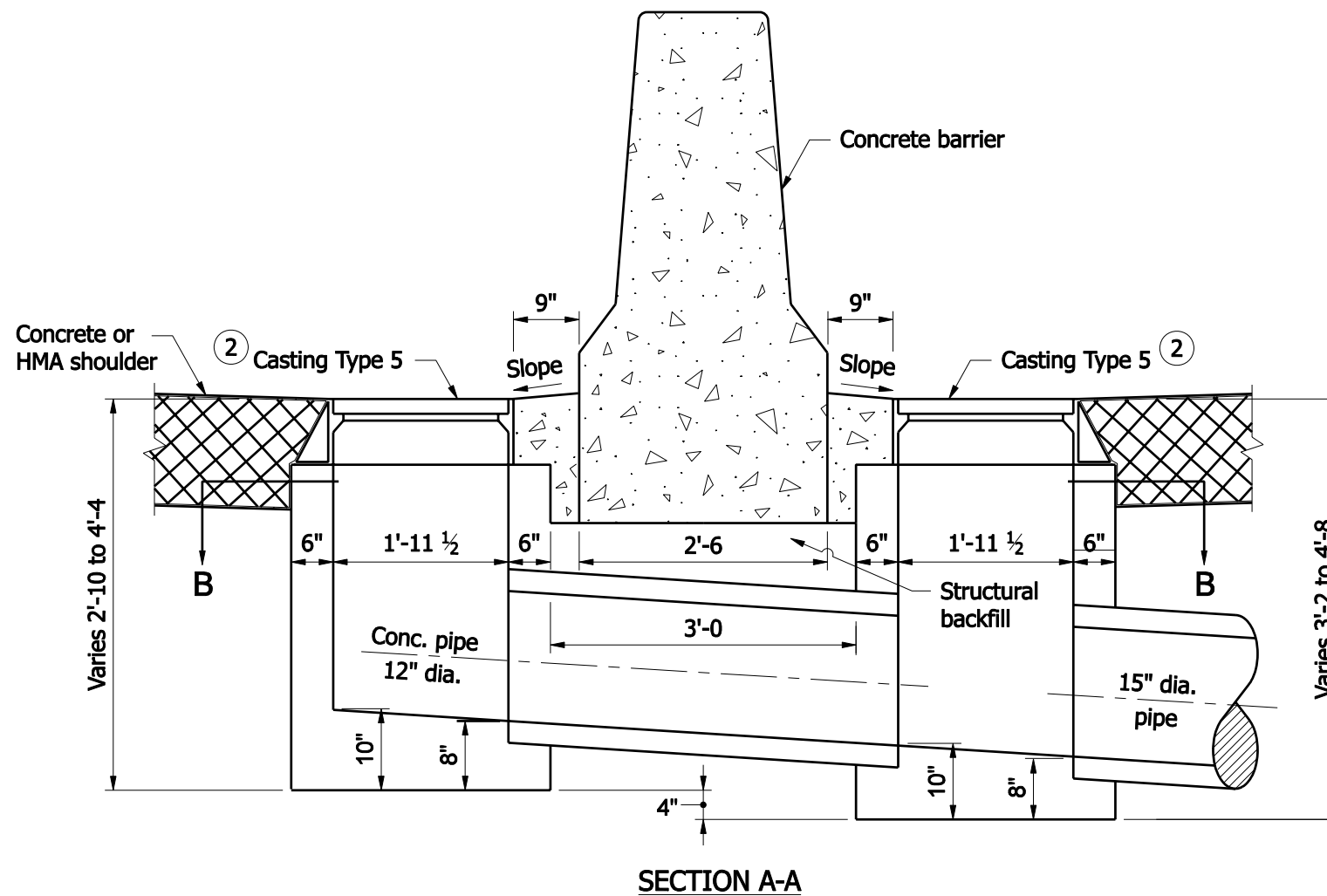
DESIGN STANDARDS ENGINEER

ORIGINALLY APPROVED 9-01-97

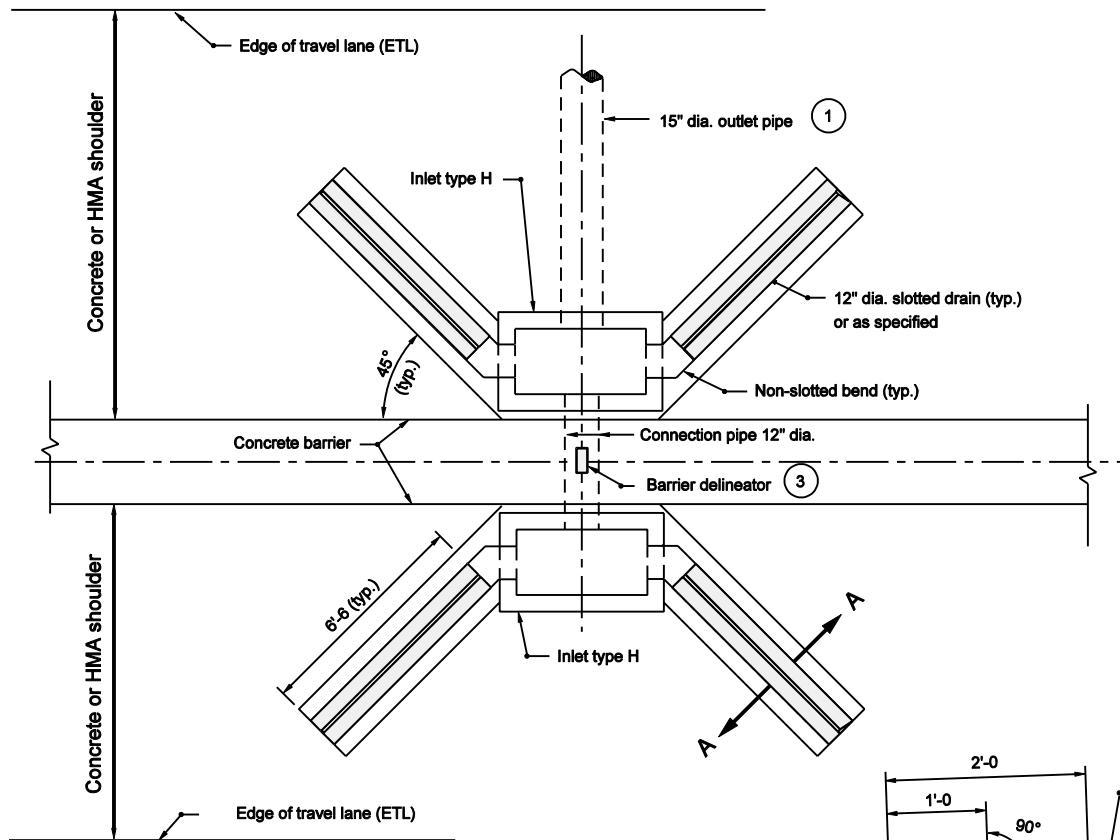


NOTES

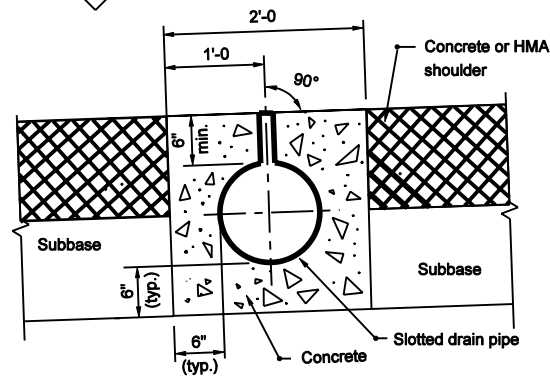
1. Each inlet Type H includes two boxes and the connector pipe between the inlet boxes.
- ② See Standard Drawing E 720-ICCA-01 thru -03 for casting type 5 details.



INDIANA DEPARTMENT OF TRANSPORTATION											
INLET TYPE H											
SEPTEMBER 2008											
STANDARD DRAWING NO. E 720- INST-05A											
	<table style="width: 100%; border-collapse: collapse;"> <tr> <td style="width: 80%;"><i>/s/ Richard L. VanCleave</i></td> <td style="width: 20%; text-align: right;">09/02/08</td> </tr> <tr> <td>DESIGN STANDARDS ENGINEER</td> <td style="text-align: right;">DATE</td> </tr> <tr> <td colspan="2"> </td> </tr> <tr> <td><i>/s/ Mark A. Miller</i></td> <td style="text-align: right;">09/02/08</td> </tr> <tr> <td>CHIEF HIGHWAY ENGINEER</td> <td style="text-align: right;">DATE</td> </tr> </table>	<i>/s/ Richard L. VanCleave</i>	09/02/08	DESIGN STANDARDS ENGINEER	DATE			<i>/s/ Mark A. Miller</i>	09/02/08	CHIEF HIGHWAY ENGINEER	DATE
<i>/s/ Richard L. VanCleave</i>	09/02/08										
DESIGN STANDARDS ENGINEER	DATE										
<i>/s/ Mark A. Miller</i>	09/02/08										
CHIEF HIGHWAY ENGINEER	DATE										
DESIGN STANDARDS ENGINEER											



PLAN VIEW



SECTION A-A

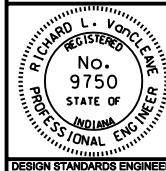
NOTES :

- ① Inlet and outlet pipe orientation to meet site conditions.
- 2. See Standard Drawing E 720-INST-05A for inlet Type H placement and details.
- ③ Barrier delineators provided to indicate the location of the inlets and shall be centered on top of concrete barrier at the inlets.

INDIANA DEPARTMENT OF TRANSPORTATION

**INLET TYPE H
WITH SLOTTED DRAIN PIPE
MARCH 2003**

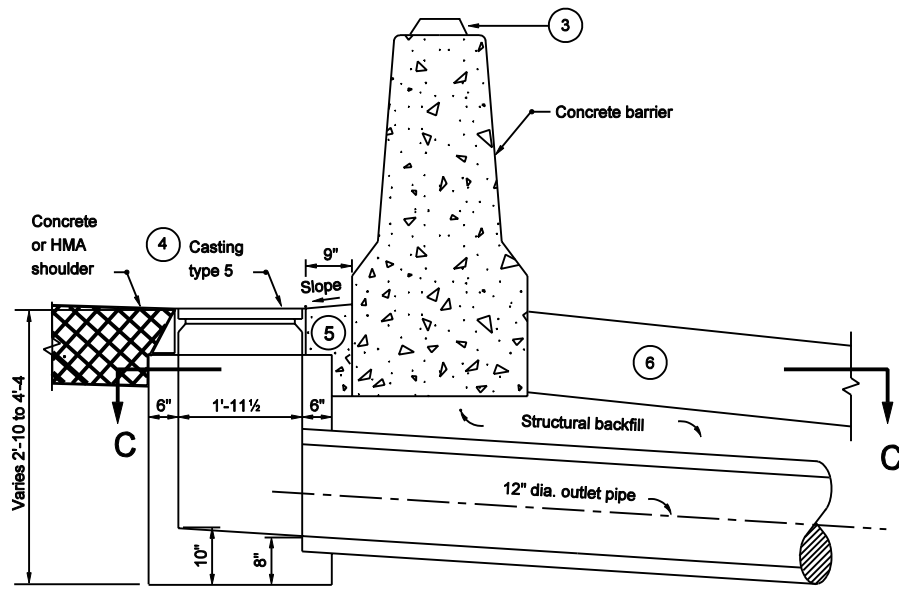
STANDARD DRAWING NO. E 720-INST-05B



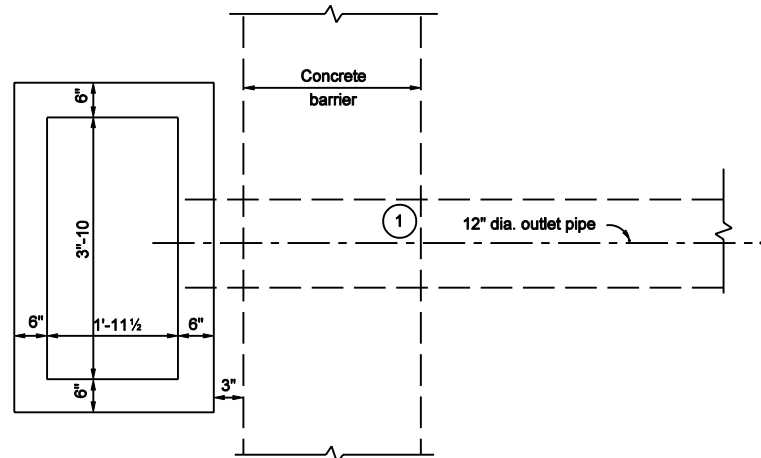
/s/ Richard L. VanCleave 3-03-03
DESIGN STANDARDS ENGINEER DATE

/s/ Richard K. Smutzer 3-03-03
CHIEF HIGHWAY ENGINEER DATE

DESIGN STANDARDS ENGINEER





SECTION B-B

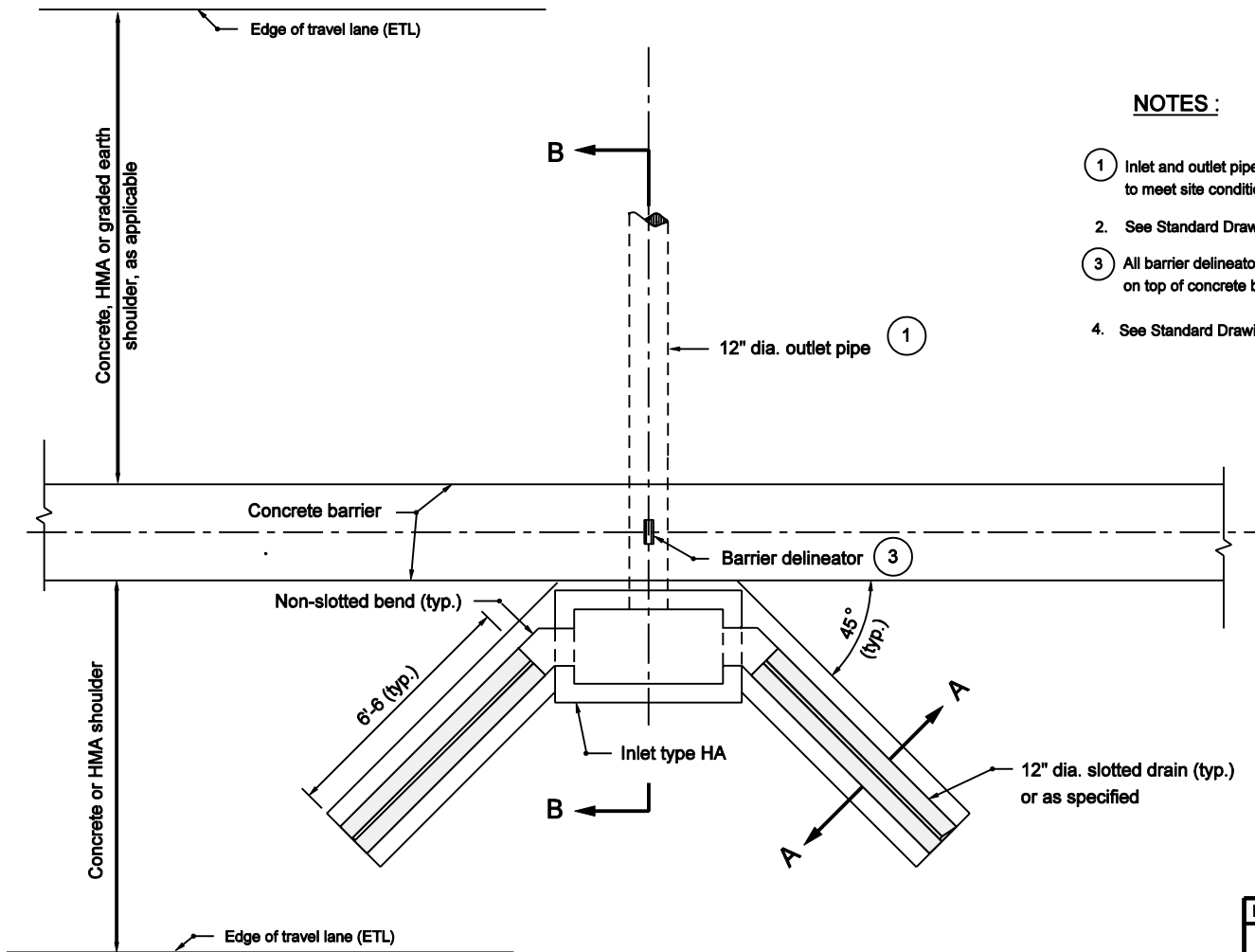


SECTION C-C

NOTES :

- ① Outlet pipe orientation to meet site conditions.
- ② See Standard Drawing E 720-INST-05D for Type HA inlet with slotted drain pipe placement.
- ③ All barrier delineator assemblies shall be centered on top of concrete barrier at the inlets.
- ④ See Standard Drawing E 720-ICCA-01 to -03 for casting type 5 details.
- ⑤ Concrete shoulder or pavement between type 5 casting and concrete barrier wall.
- ⑥ Concrete, HMA or earth shoulder as appropriate at site.

INDIANA DEPARTMENT OF TRANSPORTATION	
INLET TYPE HA SECTION B-B	
MARCH 2003	
STANDARD DRAWING NO. E 720-INST-05C	
	/s/ Richard L. VanCleave 3-03-03 DESIGN STANDARDS ENGINEER DATE
	/s/ Richard K. Smutzer 3-03-03 CHIEF HIGHWAY ENGINEER DATE
DESIGN STANDARDS ENGINEER	



PLAN VIEW

NOTES :

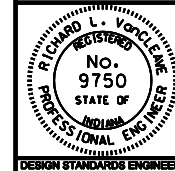
- ① Inlet and outlet pipe orientation to meet site conditions.
- 2. See Standard Drawing E 720-INST-05B for section A-A.
- ③ All barrier delineator assemblies shall be centered on top of concrete barrier at the inlets.
- 4. See Standard Drawing E 720-INST-05C for section B-B.

INDIANA DEPARTMENT OF TRANSPORTATION

**INLET TYPE HA
WITH SLOTTED DRAIN PIPE**

MARCH 2003

STANDARD DRAWING NO. E 720-INST-05D



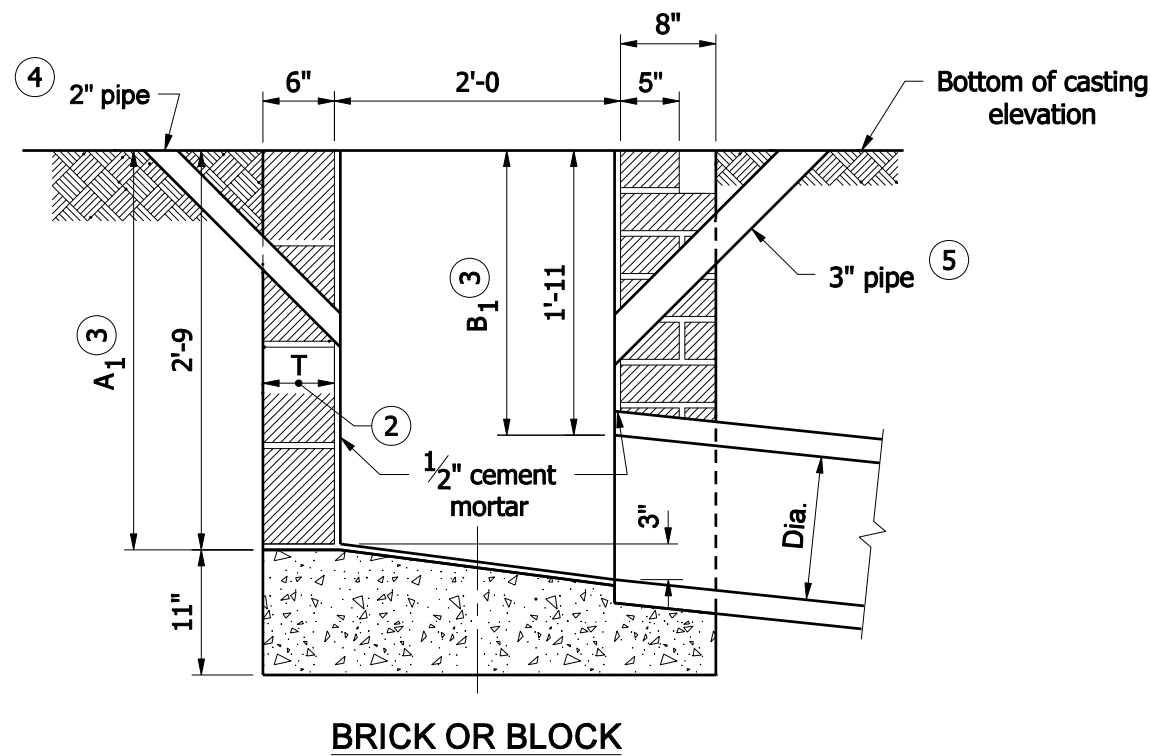
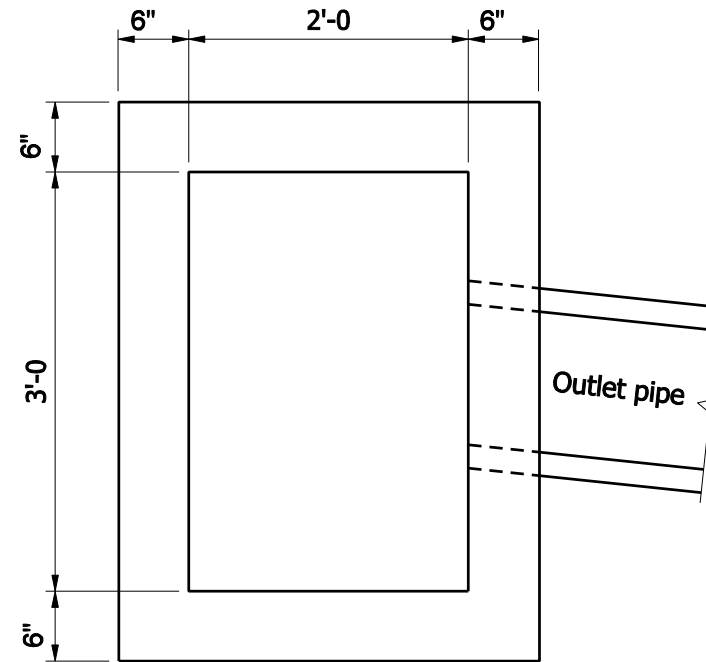
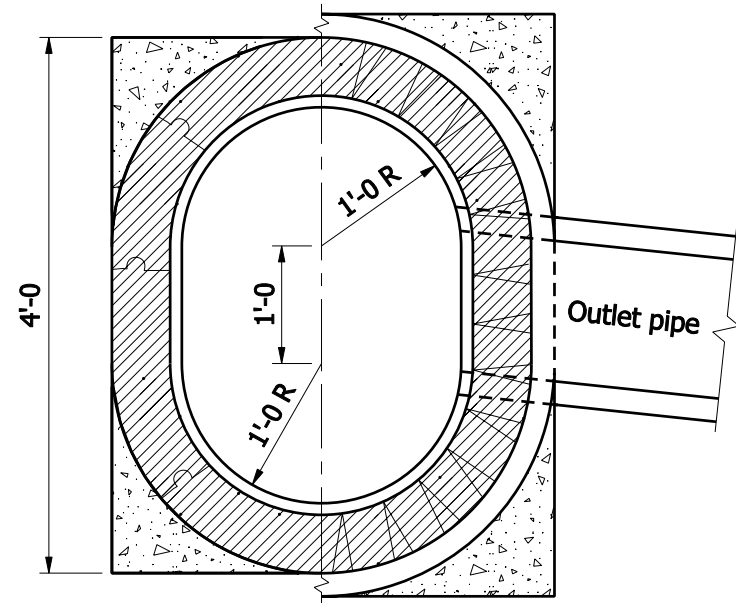
/s/ Richard L. VanCleave 3-03-03
DESIGN STANDARDS ENGINEER DATE

/s/ Richard K. Smutzer 3-03-03
CHIEF HIGHWAY ENGINEER DATE

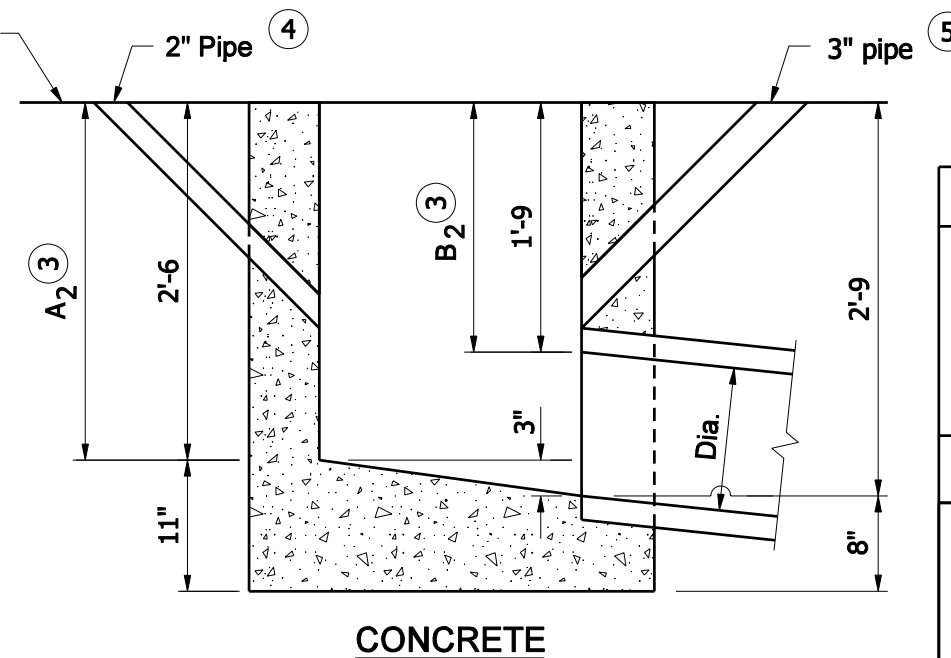
DESIGN STANDARDS ENGINEER

GENERAL NOTES

1. Brick, block, or concrete may be used.
2. T = 8" for brick structure
T = 6" for segmental block structure
- 3 In special cases or where inlet pipe is required, A₁, B₁, A₂, and B₂ shall be increased or decreased 1'-0", as directed.
- 4 2" dia. pipe drain from bottom of curb to inlet. Aggregate to be placed around inlet end of pipe.
- 5 3" dia. pipe to be kept open for drainage of subgrade or base until surface is placed.

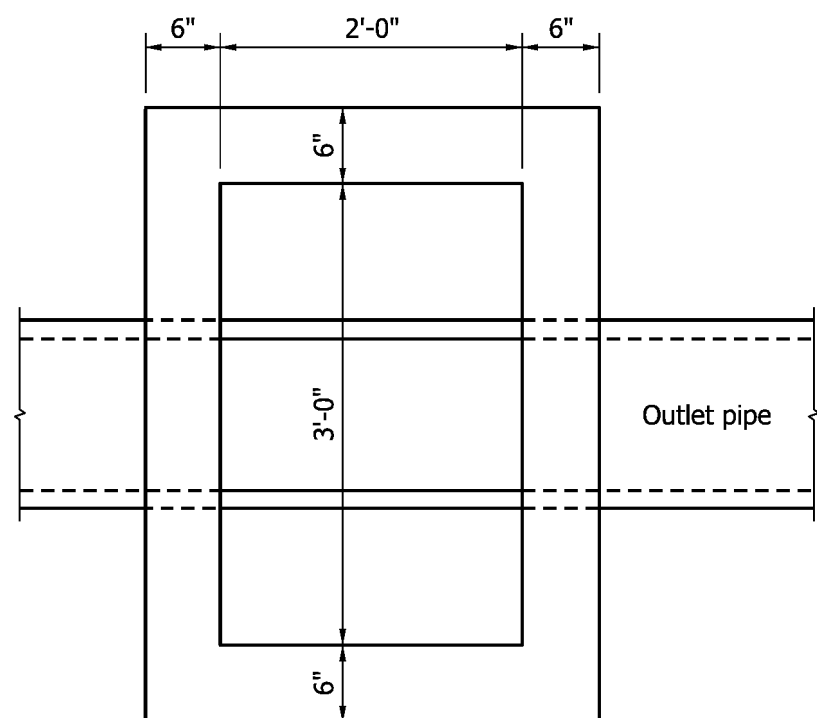


BRICK OR BLOCK

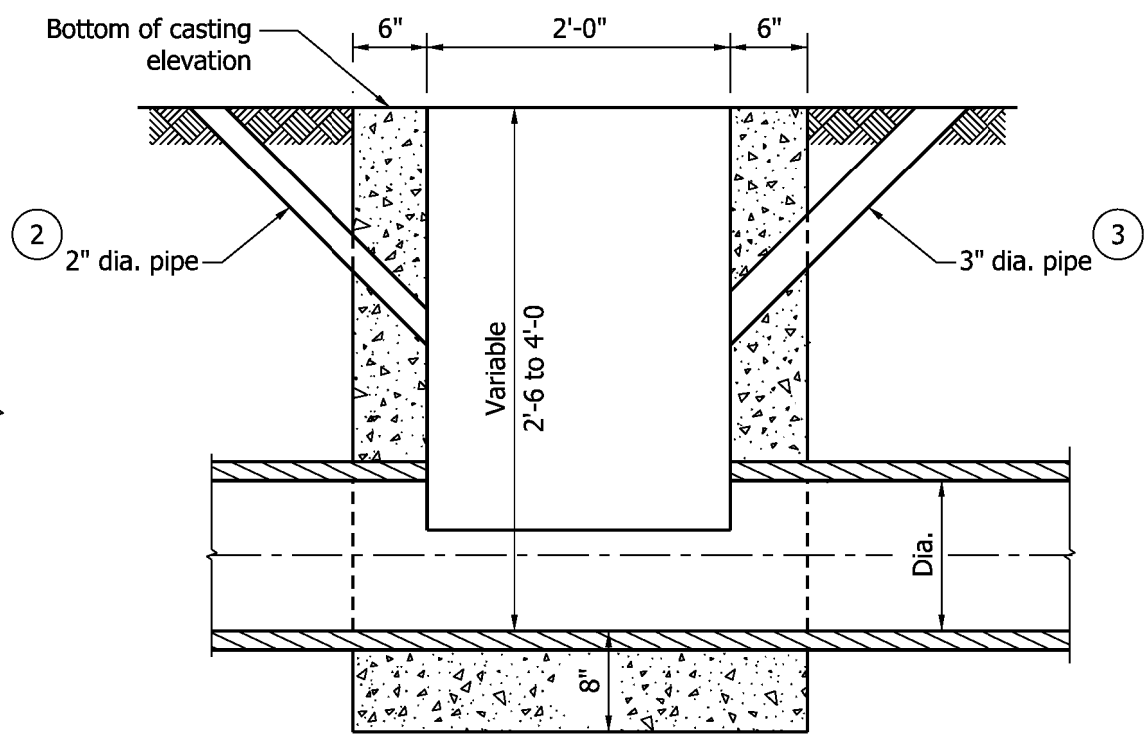


CONCRETE

INDIANA DEPARTMENT OF TRANSPORTATION											
INLET TYPE J											
SEPTEMBER 2008											
STANDARD DRAWING NO. E 720- INST-06											
	<table style="width: 100%; border-collapse: collapse;"> <tr> <td style="text-align: center;"><i>/s/ Richard L. VanCleave</i></td> <td style="text-align: right;">09/02/08</td> </tr> <tr> <td style="text-align: center;">DESIGN STANDARDS ENGINEER</td> <td style="text-align: right;">DATE</td> </tr> <tr> <td colspan="2"> </td> </tr> <tr> <td style="text-align: center;"><i>/s/ Mark A. Miller</i></td> <td style="text-align: right;">09/02/08</td> </tr> <tr> <td style="text-align: center;">CHIEF HIGHWAY ENGINEER</td> <td style="text-align: right;">DATE</td> </tr> </table>	<i>/s/ Richard L. VanCleave</i>	09/02/08	DESIGN STANDARDS ENGINEER	DATE			<i>/s/ Mark A. Miller</i>	09/02/08	CHIEF HIGHWAY ENGINEER	DATE
<i>/s/ Richard L. VanCleave</i>	09/02/08										
DESIGN STANDARDS ENGINEER	DATE										
<i>/s/ Mark A. Miller</i>	09/02/08										
CHIEF HIGHWAY ENGINEER	DATE										
DESIGN STANDARDS ENGINEER											



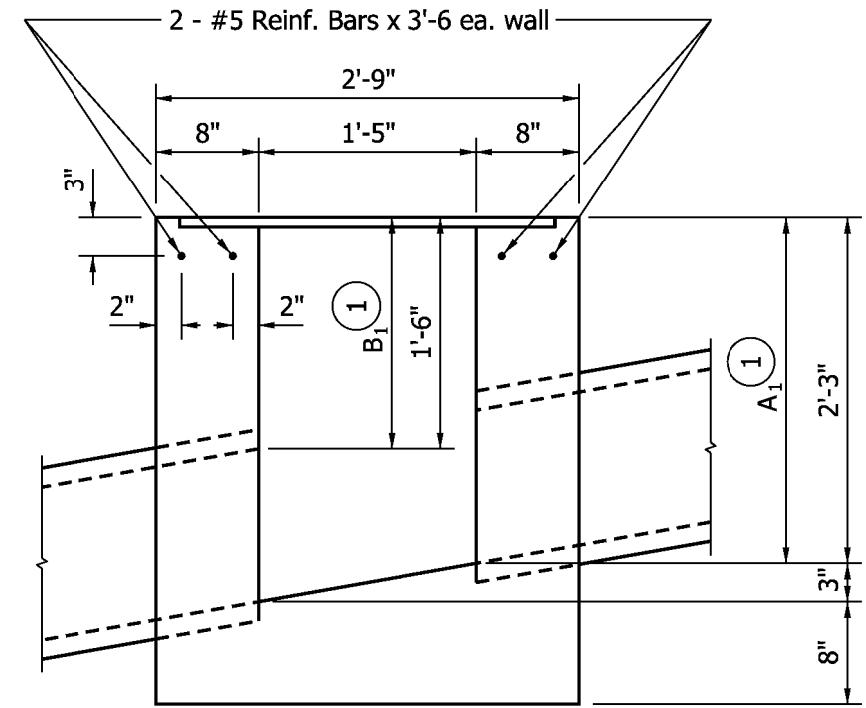
PLAN



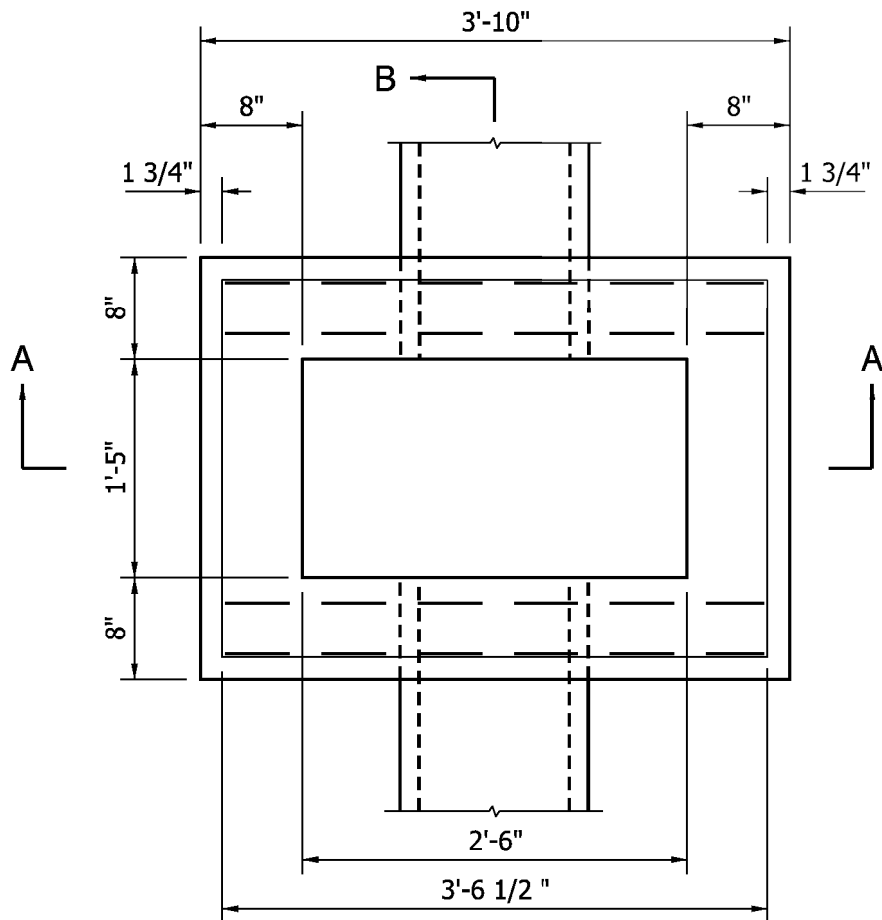
INLET TYPE M (CONC)

SECTION

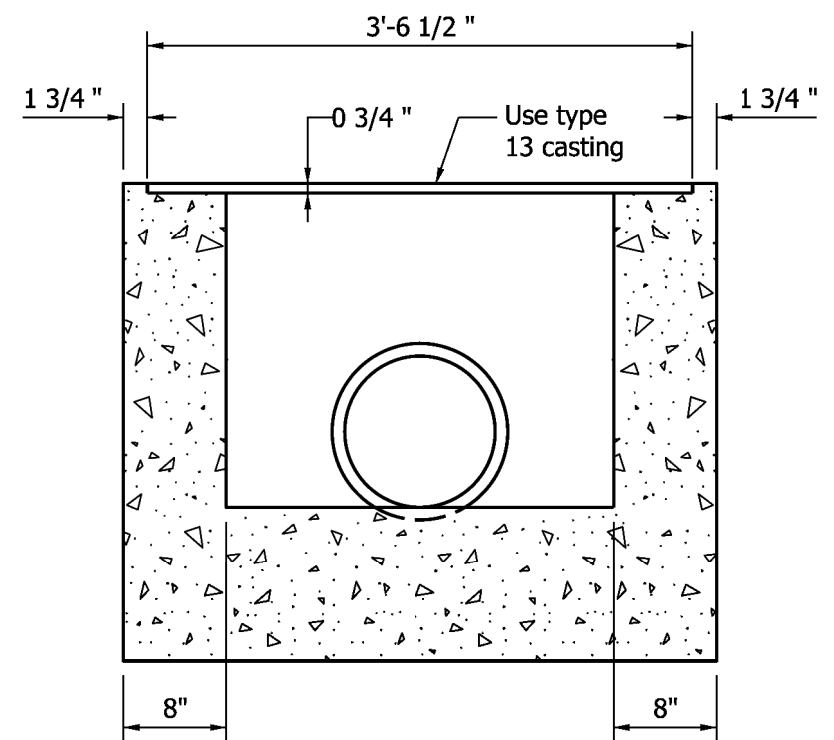
- GENERAL NOTES**
- ① If inlet pipe is required, A₁ and B₁ shall be increased or decreased 1'-0 as directed.
 - ② 2" dia. drain from bottom of curb to inlet. Aggregate to be placed around inlet end of pipe.
 - ③ 3" min. dia. pipe to be kept open for drainage of subgrade or base until surface is placed.



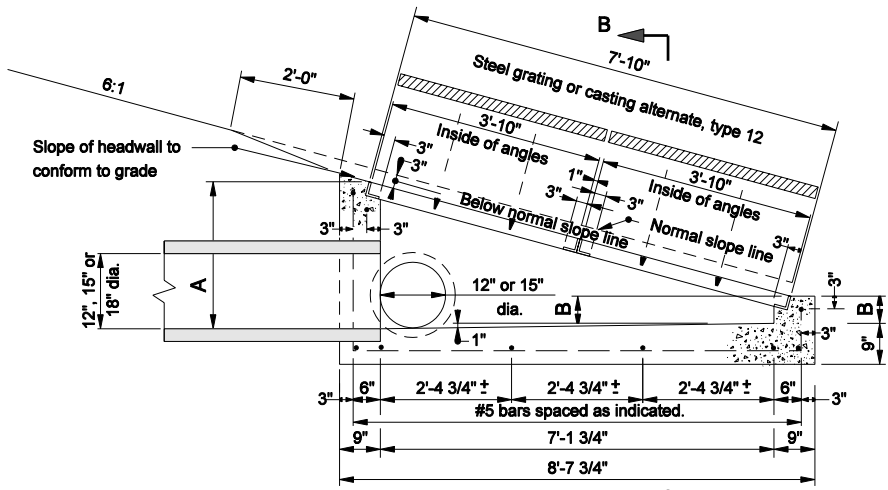
SECTION B-B



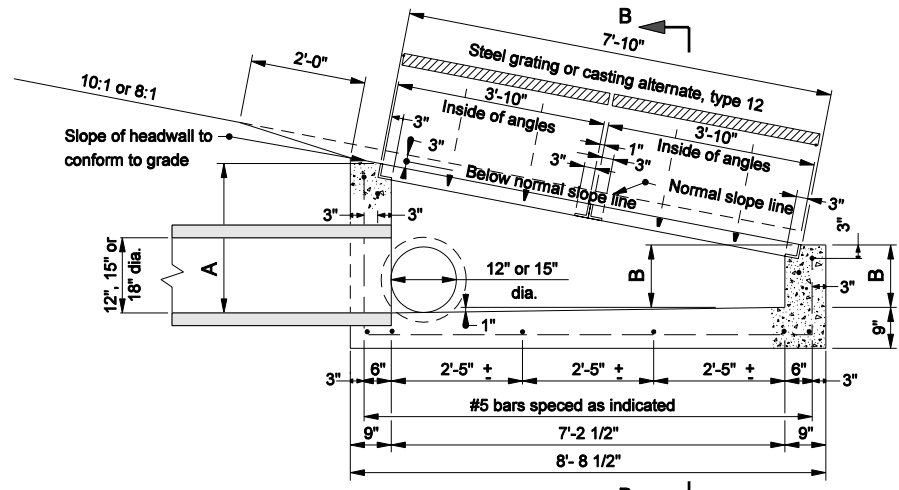
SECTION A-A
INLET TYPE R (Conc.)



INDIANA DEPARTMENT OF TRANSPORTATION									
INLET TYPE M & R									
SEPTEMBER 2009									
STANDARD DRAWING NO. E 720 INST-07									
	<table border="0" style="width: 100%;"> <tr> <td style="text-align: center;"><i>/s/ Richard L. VanCleave</i></td> <td style="text-align: right;">09/01/09</td> </tr> <tr> <td style="text-align: center;">DESIGN STANDARDS ENGINEER</td> <td style="text-align: right;">DATE</td> </tr> <tr> <td style="text-align: center;"><i>/s/ Mark A. Miller</i></td> <td style="text-align: right;">09/01/09</td> </tr> <tr> <td style="text-align: center;">CHIEF HIGHWAY ENGINEER</td> <td style="text-align: right;">DATE</td> </tr> </table>	<i>/s/ Richard L. VanCleave</i>	09/01/09	DESIGN STANDARDS ENGINEER	DATE	<i>/s/ Mark A. Miller</i>	09/01/09	CHIEF HIGHWAY ENGINEER	DATE
<i>/s/ Richard L. VanCleave</i>	09/01/09								
DESIGN STANDARDS ENGINEER	DATE								
<i>/s/ Mark A. Miller</i>	09/01/09								
CHIEF HIGHWAY ENGINEER	DATE								
DESIGN STANDARDS ENGINEER									

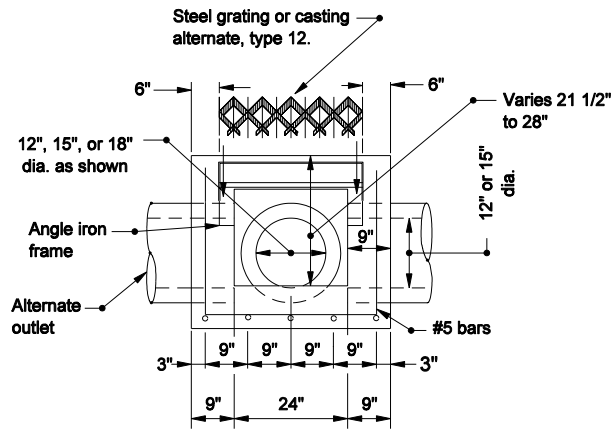


SECTION A-A
Showing Grate Slope of 6:1



SECTION A-A
Showing Grate Slope of 8:1 or 10:1

TYPE N INLET						
PIPE SIZE	6:1		8:1		10:1	
	A	B	A	B	A	B
12"	21 1/2"	5"	21 1/2"	8 7/8"	21 1/2"	11 1/8"
15"	24 3/4"	8 1/4"	24 3/4"	12 1/8"	24 3/4"	14 3/8"
18"	28"	11 1/2"	28"	15 3/8"	28"	17 5/8"



SECTION B-B

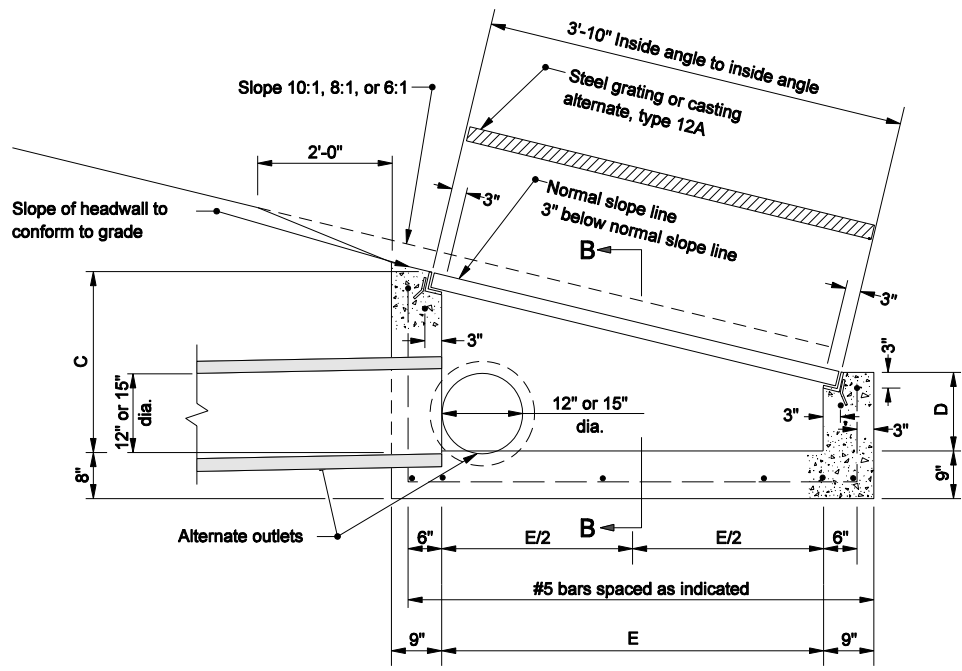
INDIANA DEPARTMENT OF TRANSPORTATION

INLET TYPE N

SEPTEMBER 2005

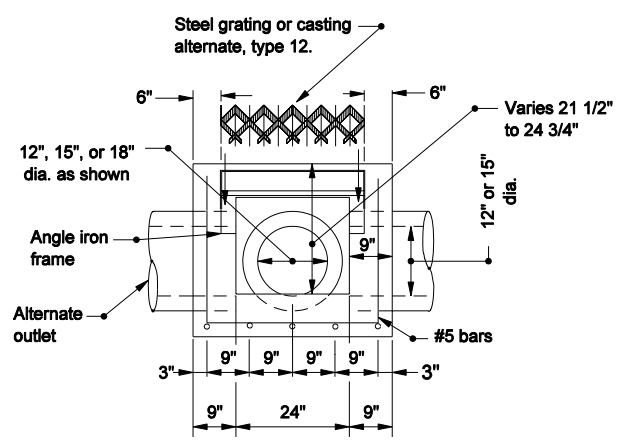
STANDARD DRAWING NO. E 720-INST-08

	/s/ Richard L. VanCleave	9-01-05
	DESIGN STANDARDS ENGINEER	DATE
	/s/ Richard K. Smutzer	9-01-05
DESIGN STANDARDS ENGINEER	CHIEF HIGHWAY ENGINEER	DATE



TYPE P INLET

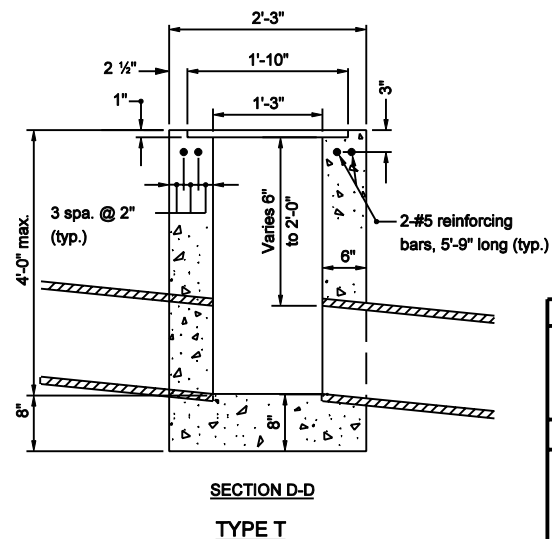
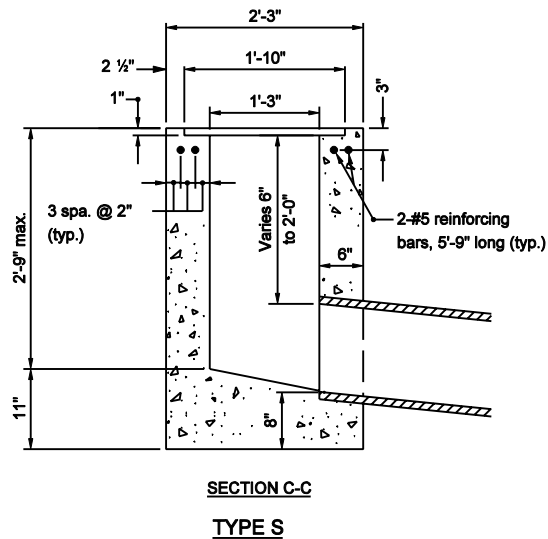
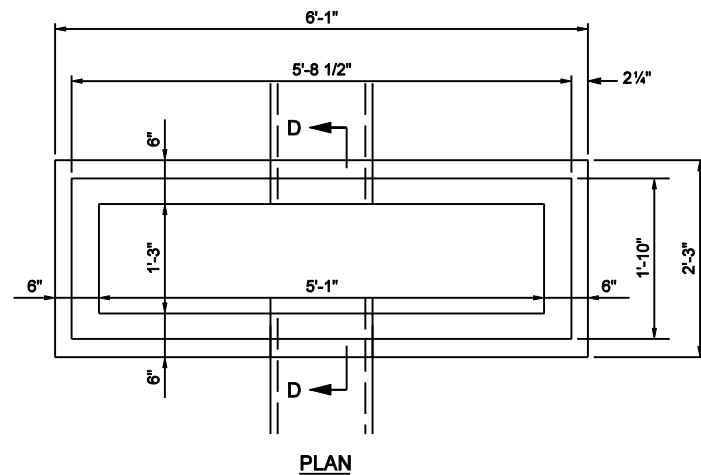
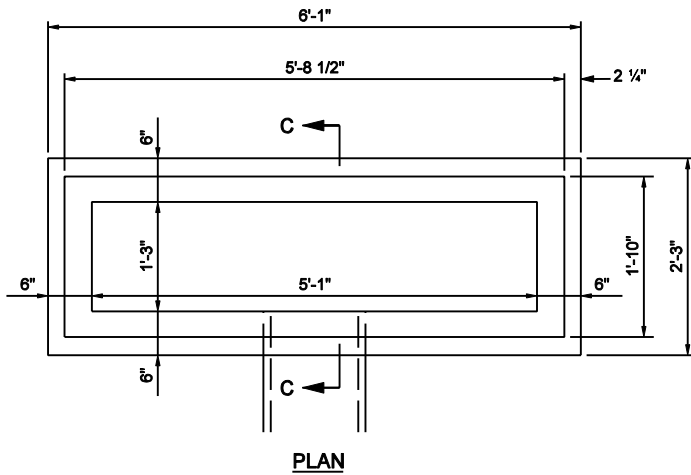
NOTE:
 1. See Standard Drawing E 720-ICCA-10 for steel grating Type 12 or E 720-ICCA-11 for castion Type 12 Alternate.



SECTION B-B

TYPE P INLET									
PIPE SIZE	6:1			8:1			10:1		
	C	D	E	C	D	E	C	D	E
12"	21 1/2"	13"	3'-3 1/4"	21 1/2"	14 1/2"	3'-3 3/4"	21 1/2"	15 7/8"	3'-3 3/4"
15"	24 3/4"	16 1/4"	3'-3 1/4"	24 3/4"	18"	3'-3 3/4"	24 3/4"	19 1/8"	3'-3 3/4"

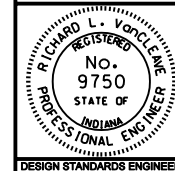
INDIANA DEPARTMENT OF TRANSPORTATION	
INLET TYPE P	
SEPTEMBER 2005	
STANDARD DRAWING NO. E 720-INST-09	
	/s/ Richard L. VanCleave 9-01-05 DESIGN STANDARDS ENGINEER DATE
	/s/ Richard K. Smutzer 9-01-05 CHIEF HIGHWAY ENGINEER DATE
DESIGN STANDARDS ENGINEER	



INDIANA DEPARTMENT OF TRANSPORTATION
INLETS TYPE S AND T

SEPTEMBER 2003

STANDARD DRAWING NO. E 720-INST-10



/s/ Richard L. VanCleave 9-02-03
 DESIGN STANDARDS ENGINEER DATE

/s/ Richard K. Smutzer 9-02-03
 CHIEF HIGHWAY ENGINEER DATE

DESIGN STANDARDS ENGINEER